

Easy Setup Guide

SiriusXM[®] Music for Business BrightSign Internet Radio

Step 1:

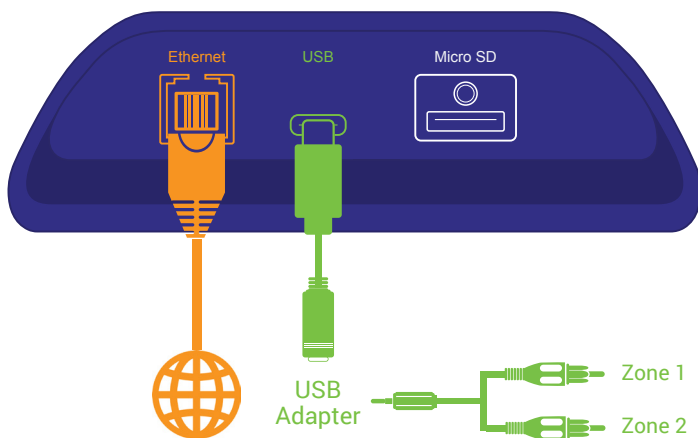
Use the supplied power adapter to connect to AC power.

Step 2:

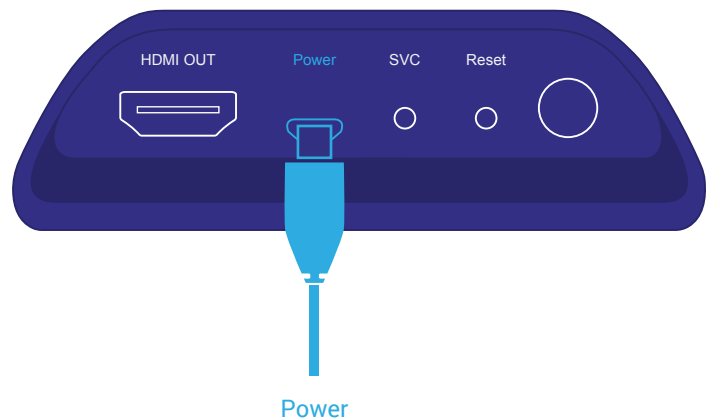
Connect an ethernet cable from the player to the back of your modem or router.

Step 3:

Use the USB adapter to connect the audio cable to your audio or phone system.



Internet Connection



Register to the SiriusXM Portal:
<http://Business.SiriusXM.com>

Activate SiriusXM Subscription:
www.SiriusXM.com/BusinessActivate